



Safety Director™

DIRECTIONAL LEDs

Beacons | Lightbars | Minibars | Worklamps | Back-Up Alarms | Camera Systems

3410 SERIES SAE Class I LED Safety Director™ System

The 3410 LED Safety Director™ is a compact high-intensity warning system designed to direct traffic approaching from the rear of a stationary vehicle. The compact light-stick design allows for unobtrusive interior or exterior mounting, either flush to the vehicle or using the provided mounting brackets. Inside the cab a modern, soft touch controller provides fingertip control of the 3410's nine built-in flash patterns and features an LED display that mimics the selected pattern in real time.

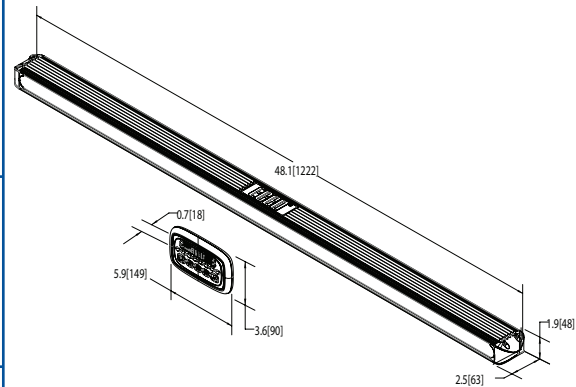
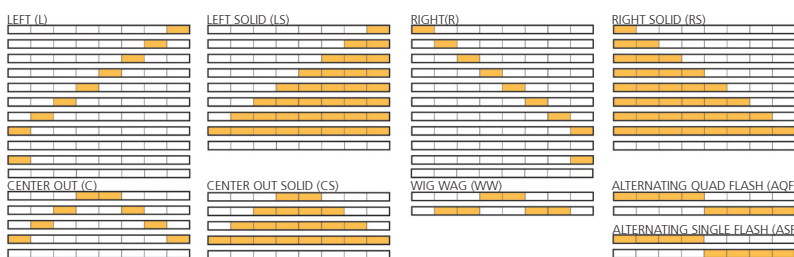
Models

PART NO.	COLOR	VOLTAGE	MAX AMPS	CABLE LENGTH
3410A	Amber	12	3.0	15'

Features and Benefits

- Extruded aluminum housing with polycarbonate lens
- Eight reflective modules with six LEDs
- SAE J845 Class I, CE, ECE R10
- Temperature Range: -22°F to +122°F (-30°C to +50°C)
- Warranty: 3 years

Flash Patterns



Components

- Signal bar: 3410LBA
- Controller: 3410CB
- 15' Cable: 3410-15
- 35' Cable: 3410-35
- 55' Cable: 3410-55