

# 3715

## 3715 SERIES



BEACONS

LIGHTBARS/  
MINIBARS

SAFETY  
DIRECTOR™

LED DIRECTIONAL  
LIGHTS

LIGHTING  
SYSTEMS

BACK-UP  
ALARMS

CAMERA  
SYSTEMS

## SAE Class I LED Light Head Surface Mount

This compact and versatile LED directional light is ideal for applications requiring high intensity output, low current draw and maintenance-free operation. These premium LED heads feature a clear polycarbonate lens with LEDs that illuminate in the color of your choice. Warning capability can be customized by selecting from 9 flash patterns (via a trigger wire) and synchronizing multiple heads simultaneously or alternately. With epoxy-sealed electronics, these light heads are one of the most rugged and flexible LED products around. And, they're covered by a full 5-year warranty.

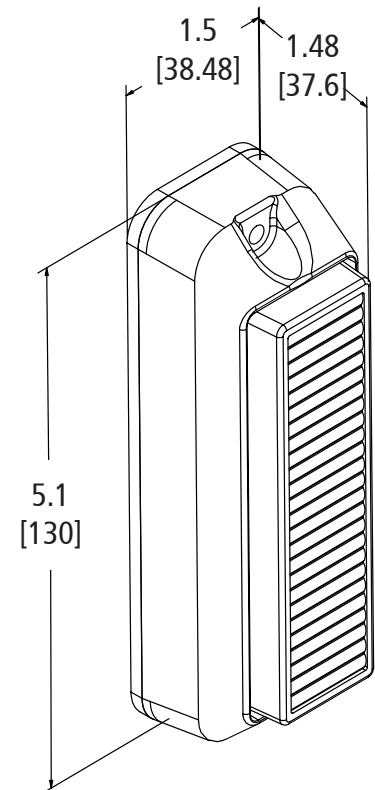
### Models

PART NO.	VOLTAGE	AMPS	FPM	MOUNT
3715X	12	0.2	Steady/Double/Quad/Quint/Int-Alt	Surface

Replace X in part number with desired LED color: A = amber, B = blue, C = clear, R = red

### Features and Benefits

- 9 Flash patterns including four integral alternating flash modes (12v only) plus steady burn, double, fast double, quad & quint flash patterns.
- Multiple heads are synchronizable (simultaneous or alternating operation)
- Epoxy-encapsulated electronics provide environmental protection against dust, moisture & vibration
- Four high-intensity LEDs combine with TIR optics to provide high intensity directional warning, units are colorless when not illuminated
- SAE J845 Class I
- CE, e
- Temperature Range: -22°F to +122°F (-30°C to +50°C)
- Warranty: 5-year



# ECCO®

833 West Diamond Street  
Boise, Idaho 83705

T: 800-635-5900 or 208-395-8000  
F: 800-688-3226 or 208-395-8190  
www.eccolink.com

A DIVISION OF  
 ECCO GROUP®