



DIRECTIONAL LEDs

Beacons | Lightbars | Minibars | Worklamps | Back-Up Alarms | Camera Systems

3800 SERIES SAE Class I Surface & Grommet Mount

3800 Series directional LEDs comprise 20 high intensity LEDs with individual reflectors to provide truly outstanding light output in a very cost-effective package. Featuring 7 flash patterns and synchronization capability they are available in either surface or grommet mount configurations, offering fit-and-forget maintenance-free operation and low amp draw.

Models

PART NO.	VOLTAGE	AMPS	MOUNT
3811X	12-24	0.3	Surface
3861X	12-24	0.3	Grommet

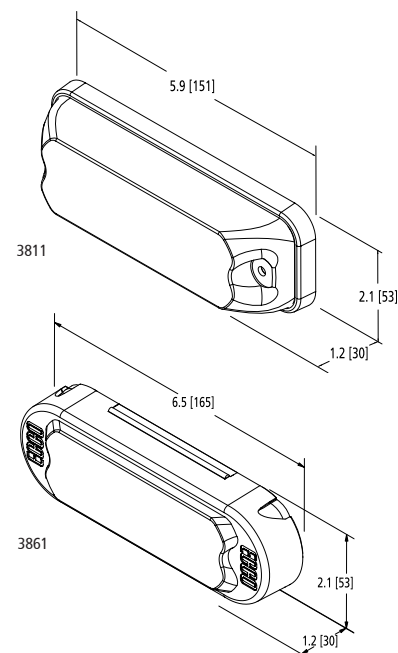
Replace X in part number with desired color: A=amber, B=blue, C=clear, R=red

Features and Benefits

- Tough, clear polycarbonate housing with encapsulated electronics
- 7 flash patterns
- Synchronizable with other 3811/3861s
- Discrete units are colorless when not illuminated
- Grommet mount versions fit standard oval rear lighting grommet
- SAE J595 Class I
- CE, ECE R10
- Temperature Range: -22°F to +122°F (-30°C to +50°C)
- Warranty: 3 years

Grommet Adapter

A3860ADPT Converts surface mount light to grommet mount



Flash Patterns (7)

• Single	75 FPM	Phase A
• Single	75 FPM	Phase B
• Double	75 FPM	Phase A
• Double	75 FPM	Phase B
• Quad	75 FPM	Phase A
• Quad	75 FPM	Phase B
• NFPA	75 FPM	N/A
• Fast Single	120 FPM	Phase A
• Fast Single	120 FPM	Phase B
• Fast Double	120 FPM	Phase A
• Fast Double	120 FPM	Phase B
• Fast Quad	120 FPM	Phase A
• Fast Quad	120 FPM	Phase B