

LED

E92007



BEACONS

LIGHTBARS/
MINIBARS

SAFETY
DIRECTOR™

WORKLAMPS

LED DIRECTIONAL
LIGHTS

LIGHTING
SYSTEMS

BACK-UP
ALARMS

CAMERA
SYSTEMS

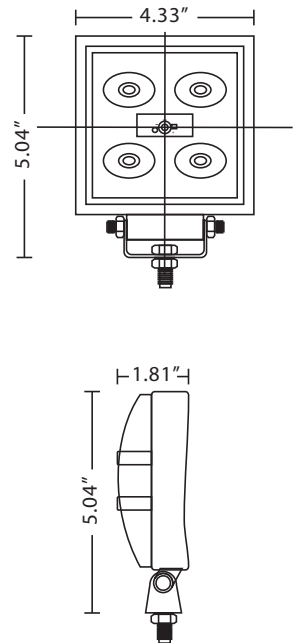
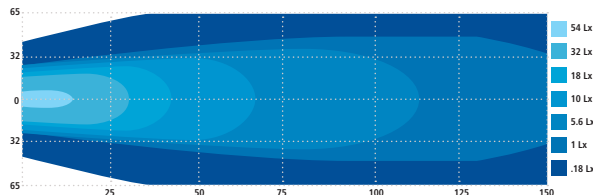
Square LED Worklamp Flood Beam

The E92007 Series worklamp offers the latest technology and the very brightest white light for your application. This LED model offers over 80,000 hours of maintenance free life expectancy coupled with extremely low amp draw.

Model

PART NO.	VOLTAGE	AMPS	LUMENS	TYPE
E92007	10-30	0.6	500	Flood

Beam Pattern



Features and Benefits

- 10-30 VDC
- Five 3-watt LEDs
- Aluminum heatsink housing
- Acrylic lens
- Steel mounting bracket
- Warranty: 2 years

Approvals

- CE
- IP Rating 67

ECCO®

833 West Diamond Street
Boise, Idaho 83705

T: 800-635-5900 or 208-395-8000
F: 800-688-3226 or 208-395-8190
www.eccolink.com

A DIVISION OF

